

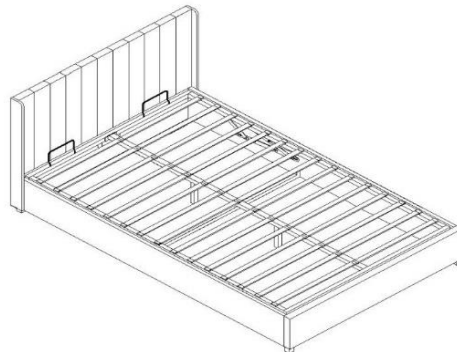
# ASSEMBLY INSTRUCTIONS

WNG-OTT-WHI-46, WNG-OTT-WHI-50  
WNG-OTT-GREY-46, WNG-OTTO-GREY-50

## **IMPORTANT**

Please Inspect all items carefully before assembling. If for any reason you need to return this item, you must return it in its original packaging. Assembled items cannot be returned. Please open the zip on the back of the headboard.

You may find the footboard and some of the components inside



Minimum No.of people recommended to assemble this product: Two (2)  
Approx. Assembly time: 60 mins

## **HELPFUL ADVICE PRIOR TO ASSEMBLING THE BED**

- 1) Owing to the size and weight of the bed, we recommend that it is assembled by two adults, on a flat surface in a room that it is intended for.
- 2) Please Do Not use any tools other than those provided or recommended in these instructions.
- 3) Please Do Not discard any packaging until you have checked that you have all the parts and fittings. Keep all fittings out of reach of children.
- 4) Assemble all parts loosely until advised to tighten. Depending on use, it maybe necessary to tighten the fittings from time to time, So please save your Allen key and Spanner that has beed provided.

## **WARNINGS**

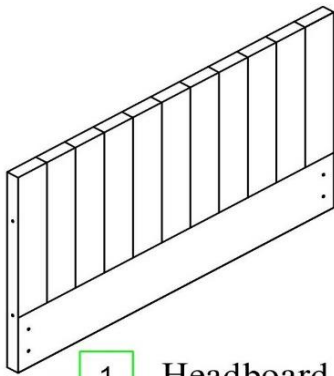
- 1) Please ensure children Do Not play in the storage area or try to lift up the metal frame.
- 2) Once assembled, put mattress on frame before pushing it down and only lift up or push down the metal frame with mattress on top.
- 3) Please Do Not stand on the storage base at any time.
- 4) Do Not throw away any of the packaging or the instructions booklet until you have checked all the components and fittings and the furniture is fully assembled.

## **HOW TO USE BED**

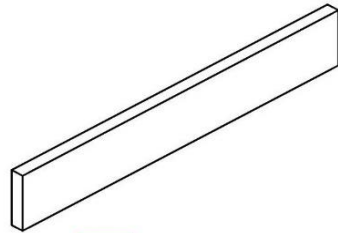
When the bed is fully assembled, Lift the frame up using strap on the footboard. To close the frame you will need to place both hands on the horizontal metal bar at the footboard end that is in the air ( one hand in the centre of each of the two rows of slats). The bed will only work if this done centrally. Apply pressure to close the bed. Do Not try to close from the side or any other way. Please also notethe gaslift lift arms do not move up and down on their own and only work if the bed is fully assembled and is assembled correctly and will only work normally with mattress on the frame.

**PLEASE LOCATE FOOTBOARD AND FITTINGS INSIDE  
THE ZIPPED COMPARTMENT BEHIND THE HEADBOARD**

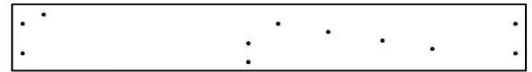
# Components



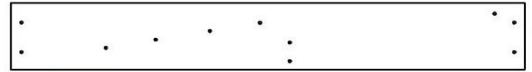
1 Headboard X1



2 Footboard X1



3 Siderail Left X1



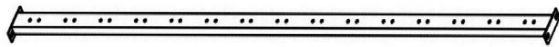
4 Siderail Right X1



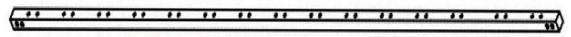
5 Headboard Right Wing X1



6 Headboard Left Wing X1



7 Central Support Bar X1



8 Side rail X2



9 Connection bar X2



10 Folding mechanism (R) X1



11 Folding mechanism (L) X1



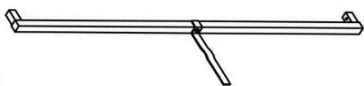
12 Pneumatic cylinder X2



13 Headboard Cross Rail X1



14 Cross Rail X1



15 Footboard Cross Rail X1



16 Slat X30



17 Support Block X2



18 Corner Angle Bracket X2



19 Foot X4



20 Mattress Stopper X2



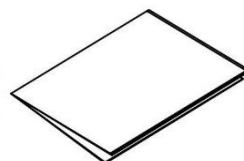
21 Central Support Leg X2



22 End Slat Cap X30

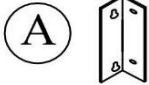

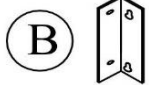




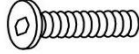
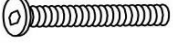
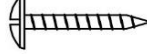

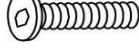


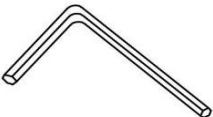


23 Central Slat Cap X15



24 Non-Woven Fabric X1

# Hardware

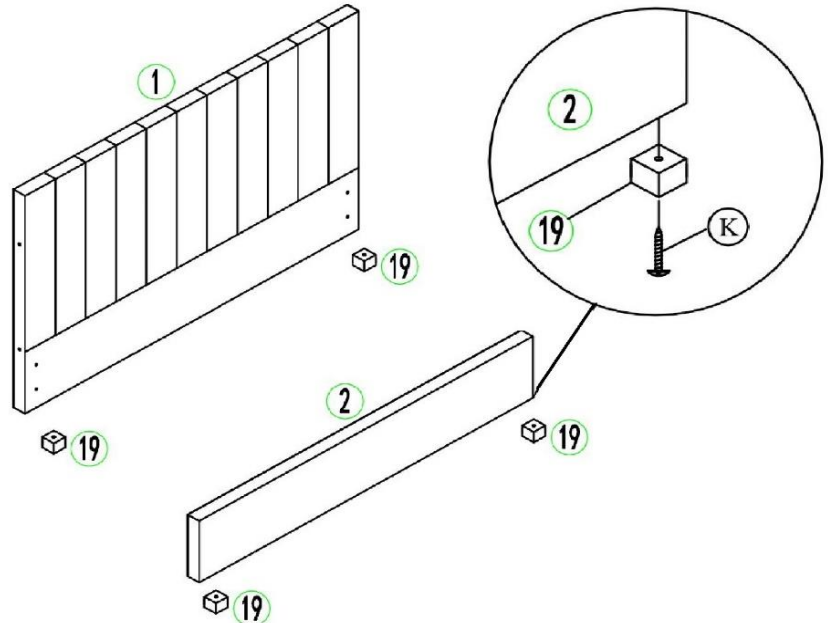
	<p><b>A</b> Connection Plate Left × 2</p>		<p><b>G</b> Nut × 4</p>
	<p><b>B</b> Connection Plate Right × 2</p>		<p><b>H</b> M8*15mm Bolt × 22</p>
	<p><b>C</b> M6*35mm Bolt × 4</p>		<p><b>I</b> M6*20mm Bolt × 4</p>
	<p><b>D</b> M8*20mm Bolt × 16</p>		<p><b>J</b> M8*35mm Bolt × 8</p>
	<p><b>E</b> M6*70mm Bolt × 4</p>		<p><b>K</b> Screw 4*50 × 4</p>
	<p><b>F</b> Washer × 12</p>		<p><b>L</b> M8*40mm Bolt × 4</p>

	<p>Allen key M5</p>
	<p>Allen key M4</p>
	<p>Spanner</p>

# ASSEMBLY INSTRUCTIONS

## Step 1:

Attach Foot ① to Headboard ① and Footboard ② using Screw ④

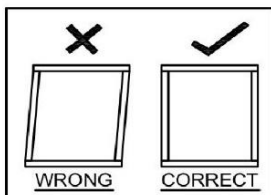
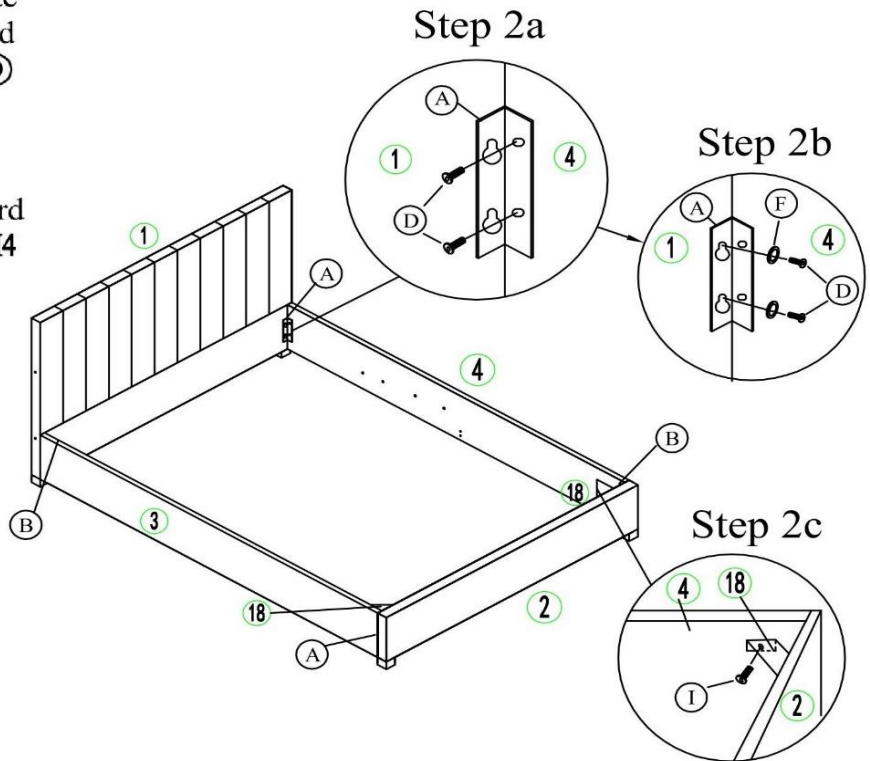


## Step 2:

**Step 2a :** Secure Connection Plate Left (A) & Right (B) to Siderail B (4) & Siderail A (3) using Bolt (D) and Allen Key M5

**Step 2b :** Secure Connection Plate Left (A) & Right (B) to Headboard (1) & Footboard (2) using Bolt (D), Washer (F) and Allen Key M5

**Step 2c :** Secure the two Corner Angle brackets (18) to the Footboard (2) using Bolt (I) and Allen Key M4



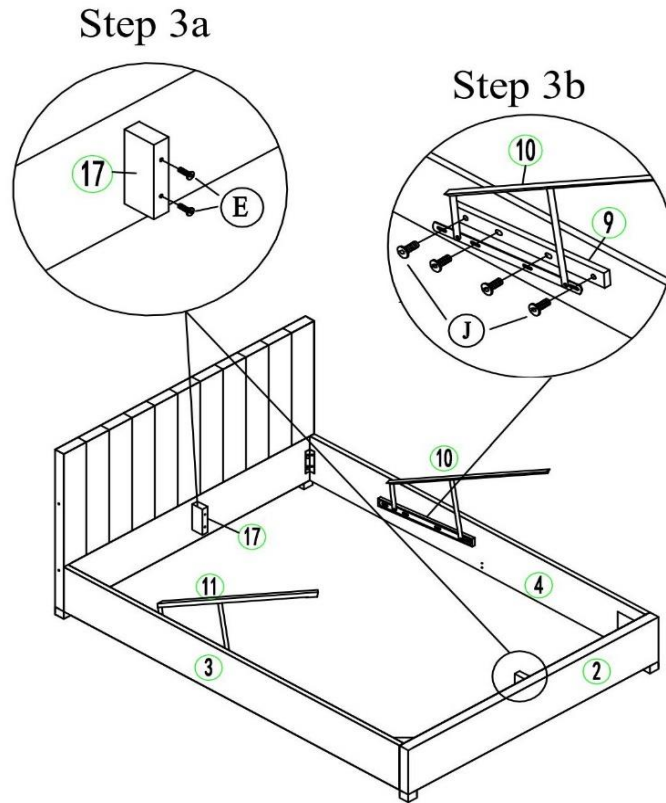
NB: Before tightening the bolts, please ensure the bed frame is square

# ASSEMBLY INSTRUCTIONS

## Step 3:

**Step 3a :** Secure Support block ⑰ to the Headboard ① and Footboard ② using Bolt ⑤ and Allen Key M4

**Step 3b :** Secure Folding mechanism-Right ⑩ & Left ⑪ and Connection bar ⑨ to Siderail ④ & Siderail ③ using Bolt ⑥ and Allen Key M5

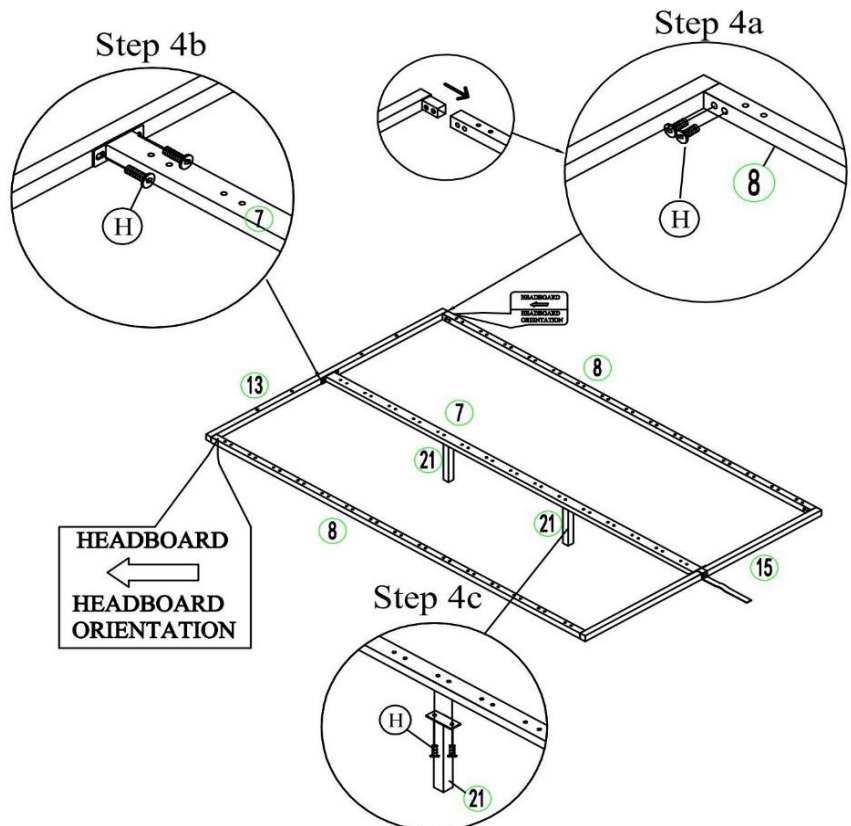


## Step 4:

**Step 4a :** Secure Cross rail of Headboard ⑬ & Cross rail of Footboard ⑮ to Side rail of metal frame ⑧ using Bolt H and Allen key M5

**Step 4b :** Secure Central support rail ⑦ to Cross rail of Headboard ⑬ and Cross rail of Footboard ⑮, using Bolt ④ and Allen key M5

**Step 4c :** Secure Central support leg ⑳ to Central support bar ⑦ using Bolt ④ and Allen key M5

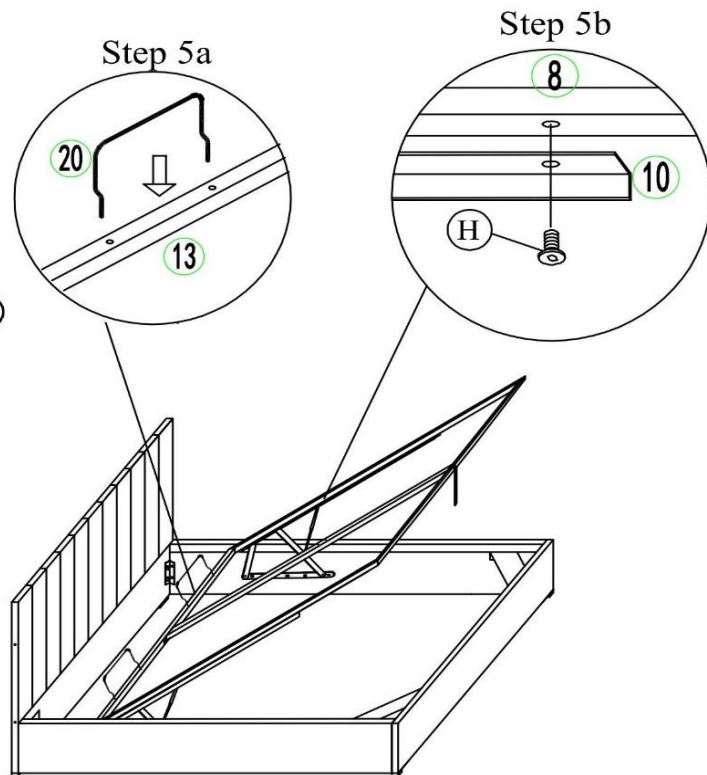


## ASSEMBLY INSTRUCTIONS

### Step 5:

**Step 5a** : Slot in Mattress stopper ⑳ to Cross rail of Headboard ⑬

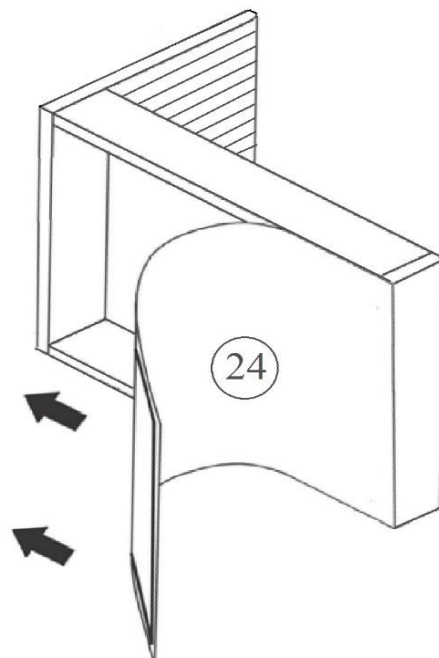
**Step 5b** : Secure Folding mechanism ⑩ & ⑪ to Side rail of metal frame ⑧ using Bolt ④ and Allen key M5



### Step 6:

Attach Non-Woven Fabric ⑳ to the Bottom of the Bed base.

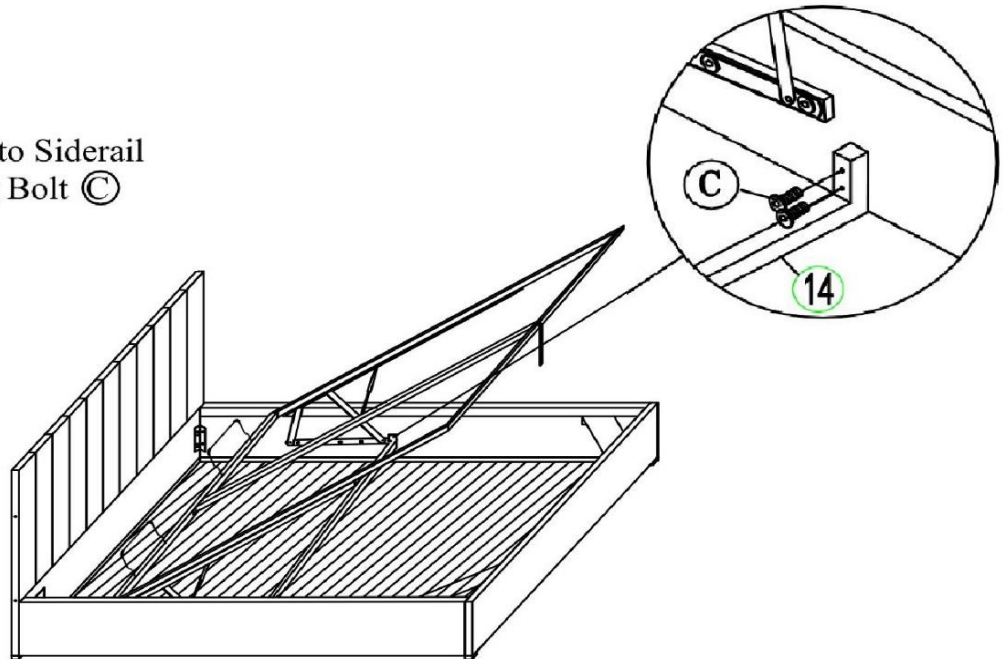
Turn Bed on its side and attach the Non-Woven Fabric to the Velcro strip on the underside of the edge of the bed base



# ASSEMBLY INSTRUCTIONS

## Step 7:

Secure Cross rail ⑭ to Siderail ④ & Siderail ③ using Bolt ① and Allen Key M4

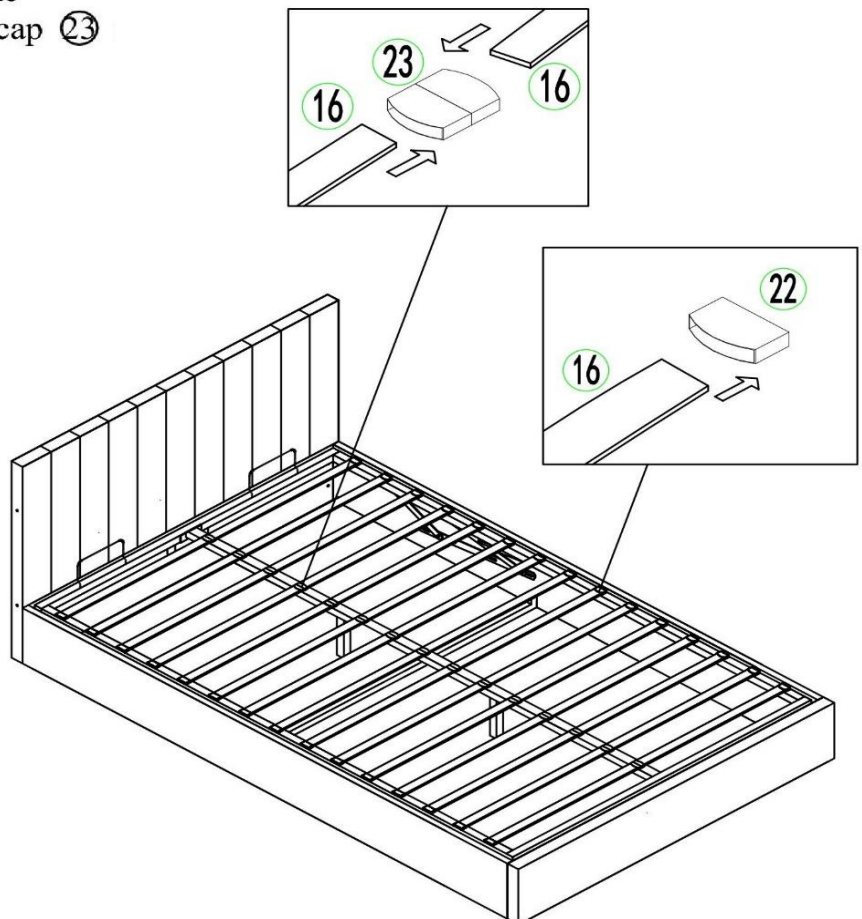


## Step 8:

**Step 8:** Slot the slats ⑩ into the end slat cap ⑪ and central slat cap ⑫

Attach slats ⑩ to the side rails of metal frame ⑧ and central support bar ⑦ then firmly press into place.

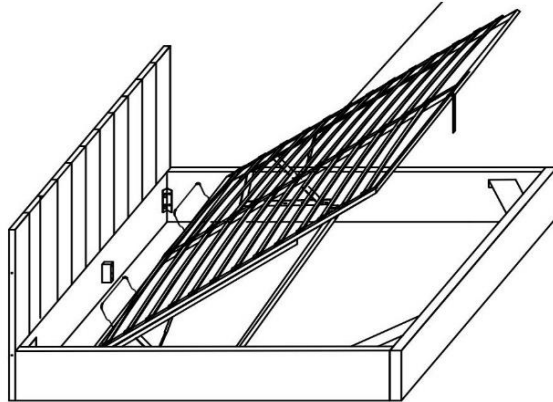
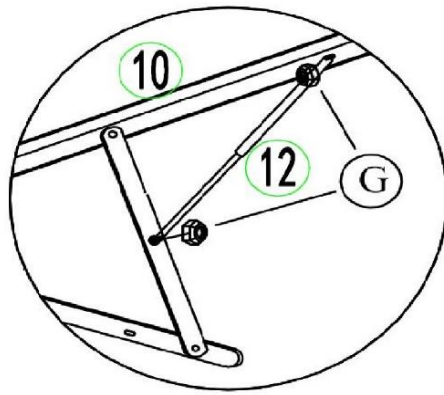
After this step, please fully tighten all bolts if you check all the parts are positioned



## ASSEMBLY INSTRUCTIONS

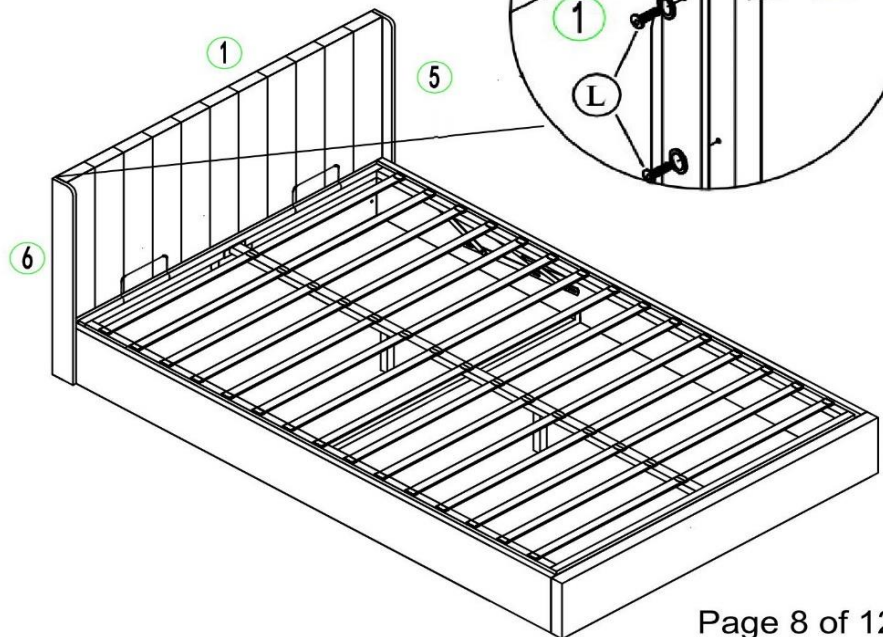
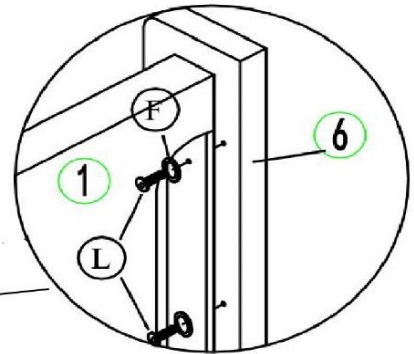
### Step 9:

Secure Pneumatic cylinder ⑫ to folding mechanism ⑩ & ⑪ using Nut ③ and Spanner



### Step 10:

Secure Headboard Wing ⑤ and ⑥ to Headboard ① using Bolt ④, Washer ⑦ and Allen Key M5





## **IMPORTANT INFORMATION**

### **OTTOMAN OPERATING INSTRUCTIONS**

Once your bed frame is completely assembled, the slat frame unit will not operate correctly unless a mattress is placed on the slat frame. Position the mattress onto the slat frame whilst it is in the closed position.

The pistons used in the construction of this product are extremely strong and cannot be operated by hand when not fitted to the ottoman hinges. All pistons are tested in the factory for correct pressure and operation before use.

**Initially it might appear that the pistons are very stiff when opening and closing the ottoman frame, THIS IS NORMAL.**

After operating the ottoman a few times, the movement of the pistons and the opening and closing of the ottoman will become easier.

**PLEASE NOTE** - It takes a lot of force to make the initial movement of the ottoman. **THIS IS A DESIGN FEATURE OF THE PRODUCT SO THAT IT DOES NOT FALL SHUT.**

When the ottoman is almost shut, it will close completely under its own weight. The speed of closing depend on the weight of the mattress so always keep fingers clear of the frame.

Periodically check and tighten bolts to ensure that the components are tight and secure.

When lowering the slat unit for the first time, take care to make sure it does not rub unevenly on the inside face of the Side Rail. If it does, the bed has been assembled slightly out of square. This can be rectified by moving the Footboard of the bed slightly to the left or right whilst leaving the headboard of the bed frame stationary.

If you are experiencing difficulty with the initial compression try fitting one piston at a time (following the Assembly Instructions) then press down on the side of the frame with the piston fitted - this acts like a big lever (The weight of the mattress can be used to supplement the load exerted). Effectively you are doubling the amount of force applied, because you have halved the resistance offered by the pistons. It can take slightly more effort than you might feel comfortable applying to the bed frame at first.

## **WARNING**

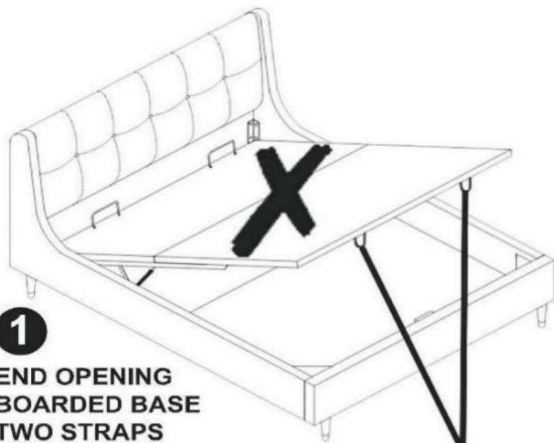
**For the safety of yourselves and others, please ensure that:**

- **Children and pets are not left unattended when the frame is in the lifted position as they could become trapped inside the ottoman space.**
- **Please keep children and pets away from the ottoman bedstead whilst opening and closing the slat frame to avoid injury.**
- **The items store under the bed - i.e. the top of an item must not touch the underside of the mattress metal frame base or it may get damaged.**

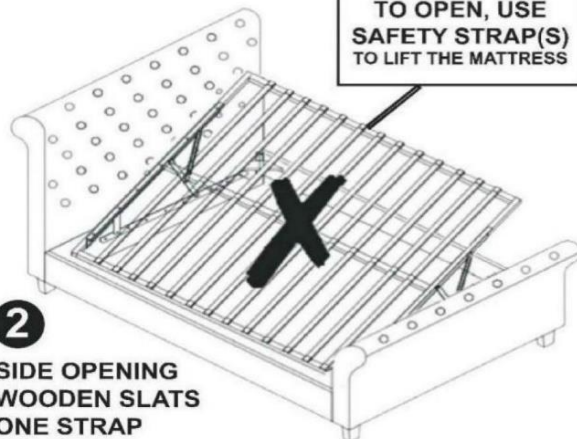
## ATTENTION Important Notes Regarding Gas Lifts

This information applies to all types of gas lift storage, regardless of the base top: boarded base ① or wooden slats ② and regardless of opening configuration: end opening ① / side opening ②

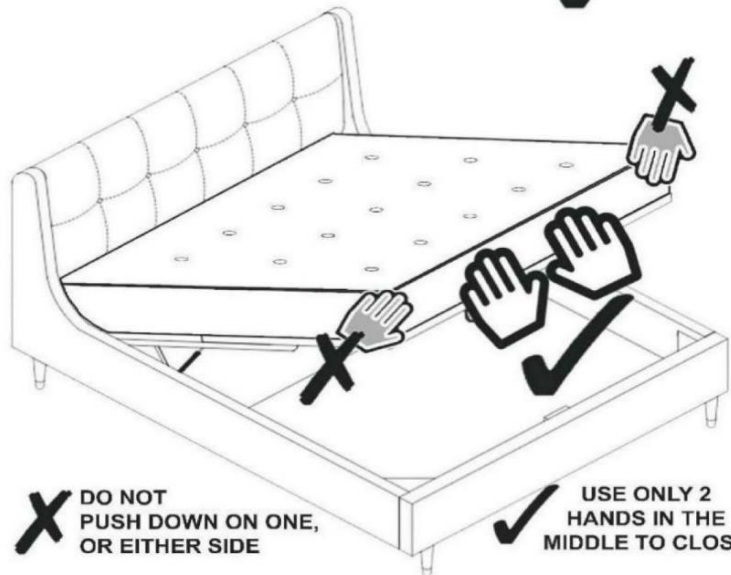
NEVER OPEN OR CLOSE WITHOUT A MATTRESS ON TOP OR YOU RISK TWISTING THE FRAME, DAMAGING THE BED OR PERSONAL INJURY!



TO OPEN, USE  
SAFETY STRAP(S)  
TO LIFT THE MATTRESS



③ ONCE THE MATTRESS IS ON TOP,  
YOU CAN OPEN & CLOSE  
THE BED SAFELY ✓



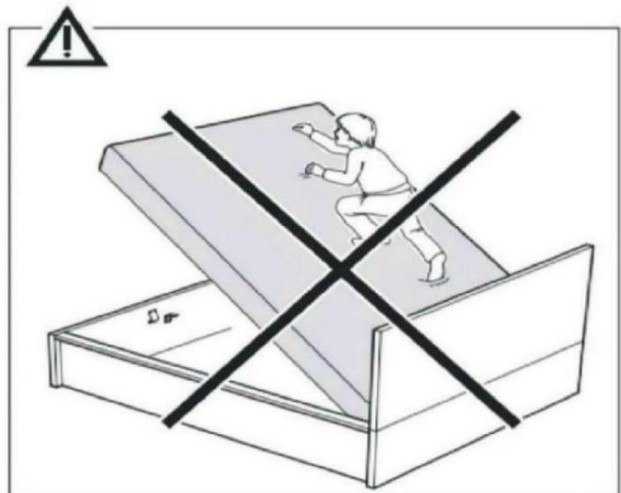
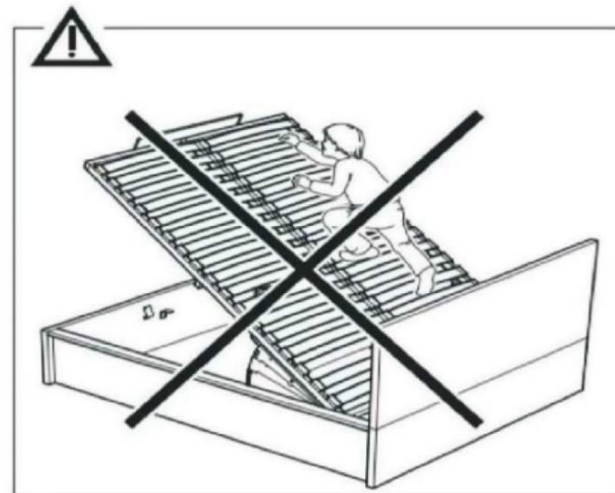
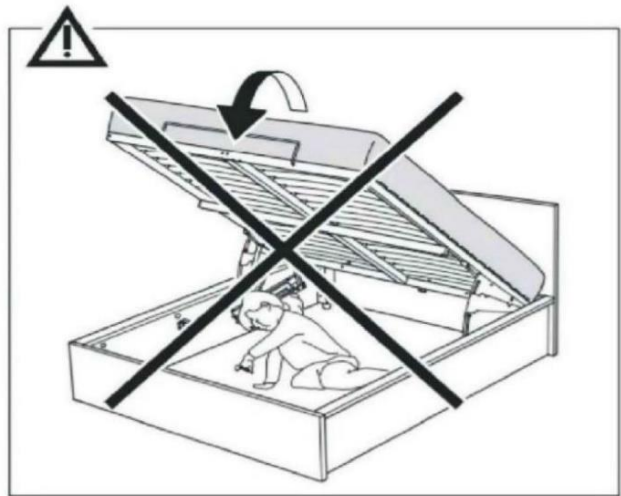
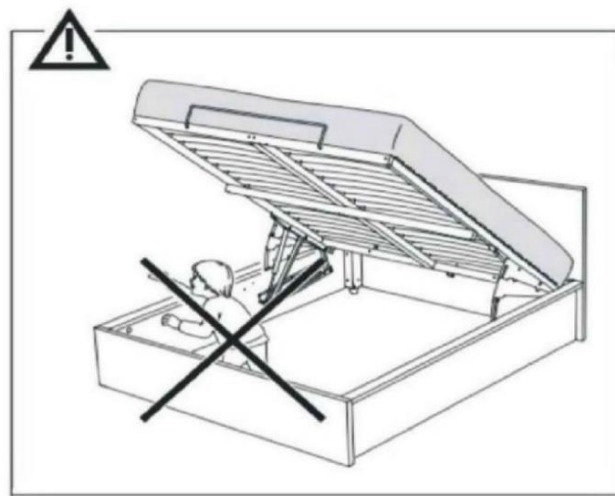
Once all the nuts and bolts are tightened firmly, the first time you close the lifting mechanism, push down with extra pressure to force open the seals on the pistons.

This will feel like a lot of pressure, so be firm and it will close!

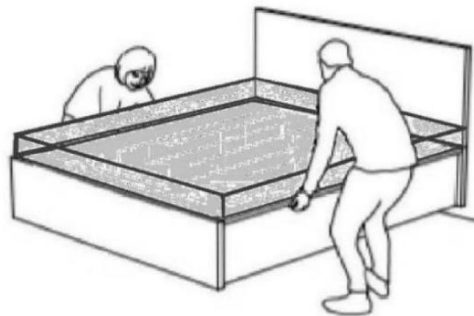
1. NEVER operate without a mattress on top. Failure to do so will damage the bed.
2. Close by pushing down firmly, with both hands towards the centre, with equal pressure.
3. NEVER push down on only one side or edge, or you will damage your bed.
4. NEVER sleep on the bed frame without a mattress.
5. Please remember to re-tighten all nuts & bolts within the bed frame after 2 weeks of use.

# Hints and Tips

Failure to do so may result in injury.



Bed frame must be in CLOSED position when moving the bed.



## Hints and Tips

**Failure to do so may result in injury.**

To operate the ottoman, always use two hands at arm's length to push down on the bed frame end, in between the 2 rows of slats (as shown below) to close the bed frame.

To open, lift up using the nylon strap on the bed end. You must always ensure the mattress is on the bed frame before lifting to open and close the bed frame.

The weight of the mattress loaded on the frame helps to close the bed frame easier and with less effort, also keep the frame in closed position until it is pulled upwards by user.



 Always ensure Mattress is on the bed frame

